



EQUILIBREUR DE CHARGE SERIE 9311-9313



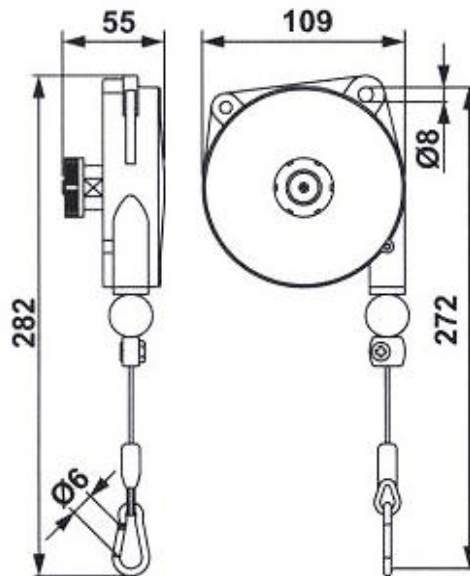
CARACTERISTIQUES TECHNIQUES

Fabrication robuste, corps aluminium.
Câble acier inoxydable
Capacité réglable
Guide câble en matière anti friction
Arrêt de câble en polyamide



MAIN FEATURES

Rugged construction, cast aluminium body
Stainless steel cable
Adjustable capacity
Auxiliary safety suspension
Cable guide in antifriction material
Inert spring drum assembly
Polyamides thimble



CAPACITE	REF	POIDS	COURSE	CABLE	CORPS
0.4-1KG	9311	0.6	1600	INOX	ALUMINIUM
1-2KG	9312	0.6	1600	INOX	ALUMINIUM
2-3KG	9313	0.7	1600	INOX	ALUMINIUM