



EQUILIBREUR DE CHARGE SERIE 9502AX-9509AX



CARACTERISTIQUES TECHNIQUES

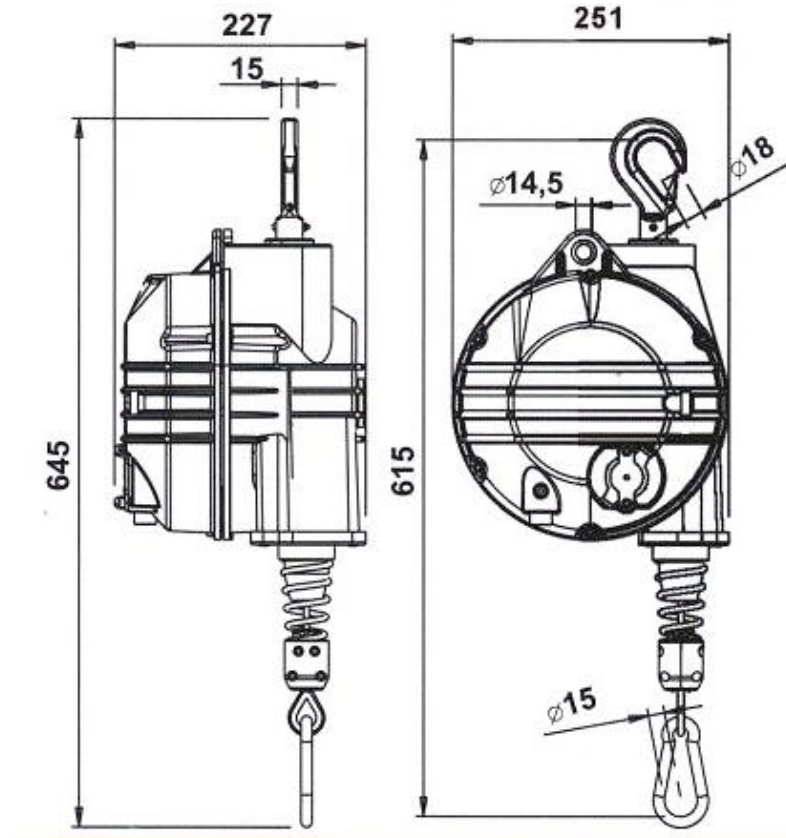
Corps en alliage d'aluminium monobloc nervuré.
 Câble acier inoxydable
 Capacité réglable au moyen d'une vis sans fin
 Guide câble en matière anti friction
 Système de sécurité empêchant la charge
 de tomber en cas de rupture de câble due à une surcharge
 Suspension supérieure rotative avec crochet de sécurité
 Dispositif de verrouillage pour bloquer la charge
 à n'importe quelle hauteur
 ExII 2GD c II T85°C (T6)



MAIN FEATURES

Ribbed and sealed monobloc construction in aluminium alloy
 Stainless steel cable
 Adjustable capacity by means of a worm screw
 Auxiliary safety suspension
 Safety device against load dropping due
 to the spring breakage (>3kg).
 Adjustable capacity by means of a worm screw
 Auxiliary safety suspension
 Upper rotary suspension with safety hook
 Locking device to block the load at any height
 Adjustable stroke limiting device
 Taper drum rotating on ball bearings
 Cable guide in antifriction material
 Rotary upper hook with ball bearing
 Inert spring drum assembly
 Polyamides thimble
 ExII 2GD c II T85°C (T6)





| CAPACITE | REF | POIDS | COURSE | CABLE | CORPS |
|----------|--------|-------|--------|-------|-----------|
| 12-20kg | 9520AX | 15 | 2700 | INOX | ALUMINIUM |
| 20-30kg | 9521AX | 15 | 2700 | INOX | ALUMINIUM |
| 30-40kg | 9522AX | 15 | 2700 | INOX | ALUMINIUM |
| 40-50kg | 9523AX | 15 | 2700 | INOX | ALUMINIUM |
| 50-60kg | 9524AX | 15 | 2700 | INOX | ALUMINIUM |
| 60-70kg | 9525AX | 15 | 2700 | INOX | ALUMINIUM |